

DB1 sounders range up to 113 dB(A)

Ex d, weatherproof



Overview

This range of lightweight, flameproof Sounders have been designed with a high weatherproof rating to cope with the harsh environmental conditions found offshore and onshore in the oil, gas and petrochemical industries.

Electronic circuitry allows the DB1P and DB1HP to be switched between two selectable tones by either reversing the supply polarity, or connecting a second voltage supply.

The higher output DB1H and DB1HP are particularly suitable for noisy environments.

Stainless steel, one of the most durable materials available on the market, is both hard wearing and corrosion resistant, increasing the life of products in harsh environments and therefore reducing maintenance costs.

Features

- Zone 1 and Zone 2 use
- Ex d, IIB T5 /T6*
- ATEX approved, Ex II 2G Gb
- UL Listed – Class I, Div 1. Groups C & D
- IECEx certified, Gb
- TR CU certified
- CCOE certified
- IP66
- Certified temperature: -20°C to +70°C*
- SIL 1 certified*
- Up to 113 dB(A) output
- Available in marine grade alloy or stainless steel
- 27 output tones, user selectable
- Telephone initiate option
- Tones can be selected remotely
- Tones comply with UKOOA/PFEER guidelines
- Any two tones may be switched via the external voltage supply
- End of line resistor option

*Model dependent



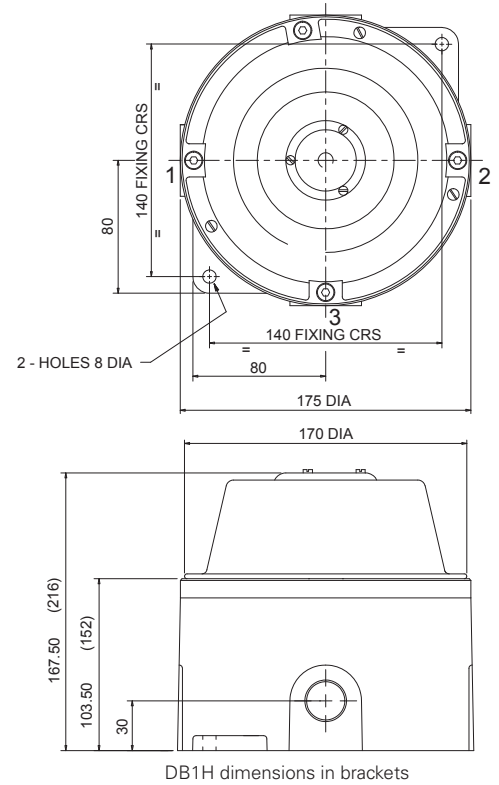
Certifications

ATEX DB1P Ex d	Cert. no. BAS00ATEX0207X Certified to: EN60079-0, EN60079-1 Ex db IIB T6 Gb (Tamb. -20°C to +60°C)
ATEX DB1HP Ex d	Cert. no. BAS00ATEX0209X Certified to: EN60079-0, EN60079-1 Ex db IIB T5 Gb (Tamb. -20°C to +70°C)
IECEX DB1P Ex d	Cert. no. IECEX BAS 10.0065X Certified to: IEC60079-0, IEC60079-1 Ex db IIB T6 Gb (Tamb. -20°C to +60°C)
IECEX DB1HP Ex d	Cert. no. IECEX BAS 10.0064X Certified to: IEC60079-0, IEC60079-1 Ex db IIB T5 Gb (Tamb. -20°C to +70°C)
UL Haz Locs	Listing no. E187688 Class I, Div 1, Groups C & D
TR CU DB1P Ex d	1Ex d IIB T6 Gb
SIL	SIL 1 certified to IEC61508. Cert number 20151119-4786827453 (DB1HP only)

Specifications

Material	LM25 corrosion resistant alloy or ANC4B stainless steel with stainless steel cover screws ABS flare
Finish	Epoxy paint finish as standard or to customer specification
Certified temp	ATEX: -20°C to +60°C (DB1P) ATEX: -20°C to +70°C (DB1HP) UL: -25°C to +70°C
Weight	DB1P: 3.5 Kg alloy, 8.3 Kg stainless DB1HP: 5.6 Kg alloy, 12.7 Kg stainless
Ingress protection	IP66
Entries	Up to 3 x M25 or M20
Terminals	Suitable to accept up to 4mm ² cable Note: Terminals limited to 2.5mm ² cable on a.c. version with telephone initiate option only
Output	DB1P: 103±3dB(A) DB1HP: 110±3dB(A) @ 1 metre Note: Sound level is dependent upon the tone selection
Labels	Tag and duty labels optional
Tone selection	Single Stage Unit a.c 27 user selectable tones including, PFEER/UKOOA tones Two Stage Unit d.c Switchable between any two of the 27 tones by either: (i) Reversing the polarity of the supply, or (ii) By a 3 wire common +ve system, switching between the two - ve lines Note: Reverse monitoring is achievable on Two Stage Version by selection of terminals

General arrangement drawing (all dimensions in mm)



Current consumption

	DB1P	DB1HP
12Vdc	125mA	900mA
24Vdc	250mA	700mA
48Vdc	250mA	350mA
120Vac	60mA	200mA
240Vac	50mA	100mA

Ordering requirements

The following code is designed to help in selection of the correct unit. Build up the reference number by inserting the code for each component into the appropriate box

Model	Certification	Material	Voltage	Entries	Duty	Tag	Options	Finish																																																																												
DB1P DB1HP	<table border="1"> <thead> <tr> <th>Certification</th> <th>Code</th> </tr> </thead> <tbody> <tr> <td>ATEX</td> <td>B</td> </tr> <tr> <td>IECEX</td> <td>J</td> </tr> <tr> <td>UL</td> <td>UL</td> </tr> <tr> <td>TR CU</td> <td>G</td> </tr> </tbody> </table>	Certification	Code	ATEX	B	IECEX	J	UL	UL	TR CU	G	<table border="1"> <thead> <tr> <th>Material</th> <th>Code</th> </tr> </thead> <tbody> <tr> <td>Stainless steel</td> <td>S</td> </tr> <tr> <td>Alloy</td> <td>A*</td> </tr> </tbody> </table> <p>*UL is only available in Alloy</p>	Material	Code	Stainless steel	S	Alloy	A*	<table border="1"> <thead> <tr> <th>Voltage</th> <th>Code</th> </tr> </thead> <tbody> <tr> <td>12Vdc</td> <td>012</td> </tr> <tr> <td>24Vdc</td> <td>024</td> </tr> <tr> <td>48Vdc</td> <td>048</td> </tr> <tr> <td>110Vac</td> <td>110*</td> </tr> <tr> <td>240Vac</td> <td>240</td> </tr> </tbody> </table> <p>*Not available on DB1HP UL</p>	Voltage	Code	12Vdc	012	24Vdc	024	48Vdc	048	110Vac	110*	240Vac	240	<table border="1"> <thead> <tr> <th>Entries</th> <th>Code</th> </tr> </thead> <tbody> <tr> <td>M20</td> <td>A</td> </tr> <tr> <td>M25</td> <td>B</td> </tr> <tr> <td>½" NPT (UL only)</td> <td>C</td> </tr> <tr> <td>¾" NPT (UL only)</td> <td>D</td> </tr> <tr> <td>LHS</td> <td>1*</td> </tr> <tr> <td>RHS</td> <td>2*</td> </tr> <tr> <td>Bottom</td> <td>3*</td> </tr> </tbody> </table> <p>*Prefix position with entry size code e.g. A1A3 = M20 left and bottom entries</p>	Entries	Code	M20	A	M25	B	½" NPT (UL only)	C	¾" NPT (UL only)	D	LHS	1*	RHS	2*	Bottom	3*	<table border="1"> <thead> <tr> <th>Duty</th> <th>Code</th> </tr> </thead> <tbody> <tr> <td>None</td> <td>N</td> </tr> <tr> <td>Required</td> <td>D*</td> </tr> </tbody> </table> <p>*Please specify</p>	Duty	Code	None	N	Required	D*	<table border="1"> <thead> <tr> <th>Tag</th> <th>Code</th> </tr> </thead> <tbody> <tr> <td>None</td> <td>N</td> </tr> <tr> <td>Required</td> <td>T*</td> </tr> </tbody> </table> <p>*Please specify</p>	Tag	Code	None	N	Required	T*	<table border="1"> <thead> <tr> <th>Options</th> <th>Code</th> </tr> </thead> <tbody> <tr> <td>None</td> <td>N</td> </tr> <tr> <td>Telephone initiate</td> <td>T†</td> </tr> <tr> <td>Relay initiate</td> <td>R</td> </tr> <tr> <td>Remote tone select</td> <td>S</td> </tr> <tr> <td>End of line resistor</td> <td>E*</td> </tr> </tbody> </table> <p>* State value † Not available UL certified</p>	Options	Code	None	N	Telephone initiate	T†	Relay initiate	R	Remote tone select	S	End of line resistor	E*	<table border="1"> <thead> <tr> <th>Finish</th> <th>Code</th> </tr> </thead> <tbody> <tr> <td>Red</td> <td>R</td> </tr> <tr> <td>Grey</td> <td>G</td> </tr> <tr> <td>Special</td> <td>S*</td> </tr> </tbody> </table> <p>*Please specify</p>	Finish	Code	Red	R	Grey	G	Special	S*
Certification	Code																																																																																			
ATEX	B																																																																																			
IECEX	J																																																																																			
UL	UL																																																																																			
TR CU	G																																																																																			
Material	Code																																																																																			
Stainless steel	S																																																																																			
Alloy	A*																																																																																			
Voltage	Code																																																																																			
12Vdc	012																																																																																			
24Vdc	024																																																																																			
48Vdc	048																																																																																			
110Vac	110*																																																																																			
240Vac	240																																																																																			
Entries	Code																																																																																			
M20	A																																																																																			
M25	B																																																																																			
½" NPT (UL only)	C																																																																																			
¾" NPT (UL only)	D																																																																																			
LHS	1*																																																																																			
RHS	2*																																																																																			
Bottom	3*																																																																																			
Duty	Code																																																																																			
None	N																																																																																			
Required	D*																																																																																			
Tag	Code																																																																																			
None	N																																																																																			
Required	T*																																																																																			
Options	Code																																																																																			
None	N																																																																																			
Telephone initiate	T†																																																																																			
Relay initiate	R																																																																																			
Remote tone select	S																																																																																			
End of line resistor	E*																																																																																			
Finish	Code																																																																																			
Red	R																																																																																			
Grey	G																																																																																			
Special	S*																																																																																			