

## TG2Z3514AFCS-2

VARI FOCAL 2X 3.5 ~ 8 mm F1.4

for 1/3" format cameras

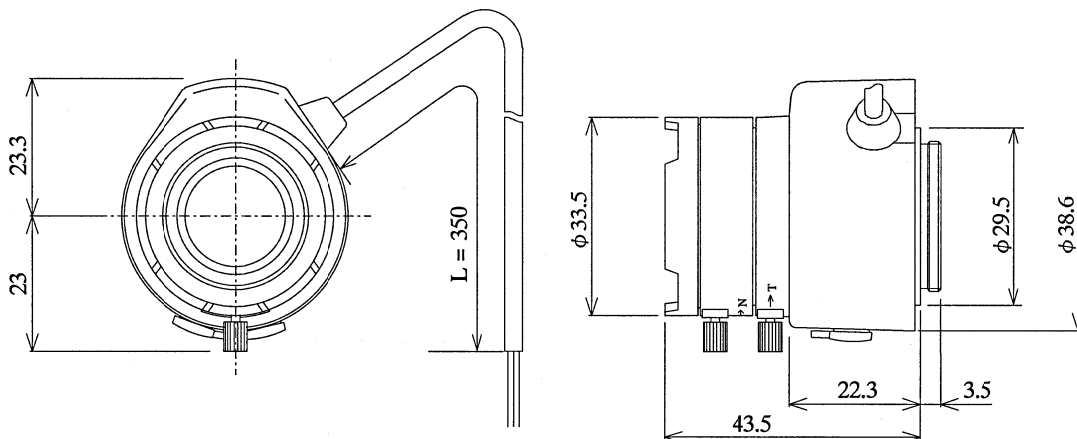
CS-Mount

with Focus, with Amplifier

<b>Model No.</b>	TG2Z3514AFCS-2		<b>Effective</b>	<b>Front</b>	φ 16.6 mm
<b>Focal Length</b>	3.5 ~ 8mm		<b>Lens Aperture</b>	<b>Rear</b>	φ 9.0 mm
<b>Max. Aperture Ratio</b>	1 : 1.4		<b>Back Focal</b>	<b>Tele</b>	13.1 mm
<b>Max. image format size</b>	4.8 x 3.6mm(φ 6 mm)		<b>Length</b>	<b>Wide</b>	8.3 mm
<b>Operation</b>	<b>Iris</b>	Auto Iris F1.4 ~ 360	<b>Flange Back</b>	12.5 mm	
	<b>Focus</b>	Manual, 0.4 m ~ Inf.	<b>Mount</b>	CS-Mount	
	<b>Zoom</b>	Manual, 3.5 ~ 8 mm	<b>Front Filter Size</b>	-	
<b>Object Dimension</b>	<b>3.5 mm</b>	64.3 x 43.9 cm	<b>Out Side Dimension</b>	φ 33.5 x 42.6 x 43.5 mm	
	<b>at M.O.D.</b>	<b>8.0 mm</b>	25.5 x 18.9 cm	<b>Weight</b>	53 g
<b>Angle of View</b>	<b>D</b>	97.9° ~ 44.3°			
	<b>H</b>	1/3" 77.6° ~ 35.4°			
	<b>V</b>	57.6° ~ 26.6°			
<b>Supply Voltage</b>	DC8 ~ 16V				
<b>Current</b>	Less Than 35mA				
<b>Transit Time</b>	Approx. 2 sec				
<b>Light Weighting Method</b>	Adjustable between Average-Peak (to be set at Average at factory)				
<b>Input Signal</b>	Video Signal (V or VS)				
<b>Iris Accuracy</b>	+/- 15% at Video Signal Level				
<b>Sensitivity Adjustment</b>	0.5 ~ 1.0Vp-p (Video Signal)				
<b>Input Impedance</b>	High Impedance				
<b>Operating Temperature</b>	-20° C ~ +50° C				

M.O.D. : Minimum Object Distance

Dimensions



Wiring Diagram

