

5 JOULE XENON & HIGH INTENSITY LED BEACONS EExd, Weatherproof SM87 & LED Ranges



Now VNIPO
Approved

Introduction

These certified beacons have been designed for use in harsh environmental conditions. The stainless steel or marine grade alloy enclosures are suitable for use offshore or onshore, where light weight combined with corrosion resistance and strength is required. Units can be painted to customer specification and fitted with identification labels.

LED version available, offering extended lifetimes.

A high temperature version is available – contact MEDC for details.

- ★ Zone 1 and Zone 2 use.
 - ★ EExd IICT4/T6.
 - ★ ATEX approved Ex II 2GD.
 - ★ BASEEFA Certified.
 - ★ UL Listed for USA and Canada:
 - Class I, Div. 1, Groups C & D.
 - Class I, Zone 1 AExd IIB.
 - ★ CSA Certified.
 - ★ GOST 'R' & 'K' Certified*.
 - ★ Chinese (CQST) Certified.
 - ★ Brazilian (Inmetro) Certified.
 - ★ IP66 and IP67.
 - ★ Certified temperature* -55°C to $+70^{\circ}\text{C}$.
 - ★ High temperature version (up to 85°C) available.
 - ★ Stainless steel or marine grade alloy.
 - ★ Xenon or LED versions.
 - ★ Various lens colours.
 - ★ Optional lens guard.
 - ★ Telephone or relay initiated.
- *Depending on version.

Specification

Certification: ATEX EExdIIC T6.

Cert. No. Baseefa 03ATEX0222.

CENELEC EN50014 and EN50018 and EN50019.

CSA Certification to C22.2 Nos. 0, 0.4, 0.5, 9, 30-M1986, 94-M91, 137-M1981. Class I. Div 1. Group D. Enclosure 3/4. Cert. No. 96406. (HXB only).

UL Listed for USA & Canada: Class I, Div 1, Groups C & D and Class 1, Zone 1. (HXB & XBT only). Listing No. E187894.

Refer to UL data sheet, at rear of catalogue, for complete information.

GOST 'R' Certification: 1Exd IIC T4, (HXB only) Russian Fire Approved (VNIPO).

GOST 'K' Certification: Exd IIC T4,.

Chinese (CQST) Certification: Exd IIC T4/T6, (HXB only).

Brazilian (Inmetro) Certification: BR-Ex d IIC T3/T4/T5/T6

Material: HXBS, XBTS and LEDS – Grade 316 ANC4B Stainless Steel.

HXBA, XBTA & LEDA – LM25 TF Marine Grade Alloy.

Lens – Glass.

Note: Terminal Chamber available only in Stainless Steel.

UL version available only in marine grade alloy.

CSA version available only in stainless steel.

Finish: Epoxy paint finish as standard or to customer's specification.

Voltage	DC		AC 50/60 Hz				
	24	48	110	120	220	240	254
SM87 HXB XBT							
Tube Energy (Joules)	5	5	6	7	6	7	8
Peak Current							
Consumption (mA)	320	170	250	275	120	135	150
Effective Intensity (Cd)	29	29	32	39	32	39	44
Peak Intensity	22213	22213	25061	30187	25061	30187	34174
Power Consumption (Watts)	7.2	7.6	25	27	25	27	35
SM87 LED							
Current Consumption	165mA	85mA	N/A	N/A	N/A	N/A	N/A

FOR COLOURED LENSES

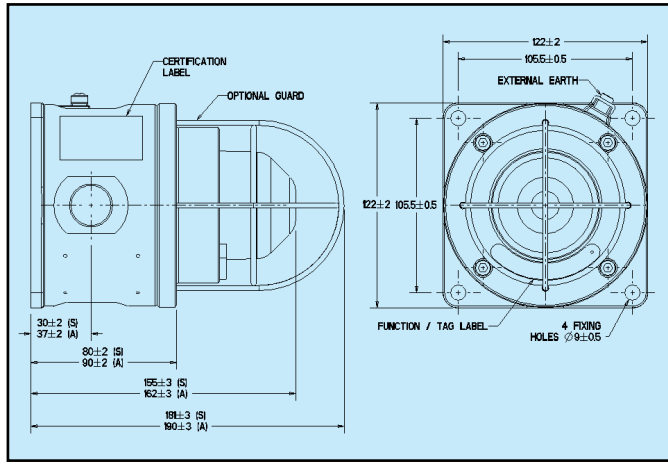
Colour	Red	Blue	Amber	Green	Yellow
Multiplying Factor	0.15	0.12	0.51	0.49	0.86

The photometric data has been verified by BSI. A report is available if required.

LED Light Output	Colour	Total LED Output (Candela)
Steady or Flashing (customer selectable)	Red	192
	Amber	64
	Green	17
	Blue	64

LED/Lens Colour: Red, Blue, Green, Amber, Yellow (not LED) or Clear (not LED).

Flash Rate: 60fpm as standard, other flash rates available on request.



Weight: HXBS & LEDS – 3.8kg each (approx).
HXBA & LEDA – 2kg. each (approx.).

BASEEFA HXB = -55°C to +70°C.

Certified LED = -20°C to +40°C.

Temperature: Versions are available certified up to +55°C maximum with a T4 rating.
XBT (High temp) = -40°C to +85°C.

CSA Certified

Temperature: -50°C to +40°C.

UL Certified

Temperature: HXB = -55°C to +70°C. XBT (High Temp.) = -40°C to +85°C.

GOST 'R' Certified

Temperature: HXB = -55°C to +55°C.

Ingress

Protection: IP66 & IP67.

Terminals: HXB & XBT – 6 off suitable for up to 2.5mm² cable.
LED – 6 off suitable for up to 2.5mm² cable.

Telephone initiation or relay interface:

Initiation by telephone ringing tone or low voltage control signals.

Labels: Duty & Tag Labels optional.

Entries: Up to 4 x 20mm/25mm ISO or 1/2"/3/4" NPT.

Ordering Requirements

The following code is designed to help in the selection of the correct unit. Build up the reference number by inserting the code for each component into the appropriate box. **For standard products, available ex-stock, contact sales office for details.**

Model	Certification	Voltage	Lens/LEDcolour	Lens Guard	Entries	Tag/Duty Label	Initiate Option	Finish	
<input type="text"/>	<input type="text"/>	<input type="text"/>	<input type="text"/>	<input type="text"/>	<input type="text"/>	<input type="text"/>	<input type="text"/>	<input type="text"/>	
Type	Code	Certification	Code	Colour	Code	Entries	Code	Initiate Option	Code
Xenon (stainless steel)	SM87HXBS	ATEX	B	Red	R	20mm	1	Telephone	*T
Xenon (alloy)	SM87HXBA	UL	UL	Blue	B	25mm	2	Relay	*R
Xenon High Temp. (alloy)	SM87XBTA*	CSA	C	Green	G	1/2" NPT	3	EOL Resistor	*E
Xenon High Temp. (stainless steel)	SM87XBTS*	GOST 'R'	G	Amber	A	3/4" NPT	4	None	N
LED EExd (stainless steel)	SM87LEDS	GOST 'K'	K	Yellow	Y	Top (only on HXB)	*T	*Not available on UL versions.	
LED EExd (alloy)	SM87LEDA	GOST 'K'	K	(not LED)		Bottom	*B		
		Chinese (CQST)	Q	Clear	C	RHS	*R		
		Inmetro	DM	(not LED)		LHS	*L		
		Only HXBS is available CSA certified.		Voltage	Code			Finish	Code
		Only HXBA & XBTA is available UL certified.		24V d.c.	024			Red	R
		*VNIPO Approved as standard.		48V d.c. not XBT	048			Blue	B
				110V a.c. not LED, XBT	110			Yellow	Y
				120V a.c.	120			Yellow/Black Stripe	X
				220V a.c.	220			Grey	G
				240V a.c.	240			White	W
				254V a.c.	254			Special Finish	S
						Guard	Code		
						None	N		
						Yes	Y		
						(Please specify)			

All the above specifications, dimensions, weights and tolerances are nominal (typical) and MEDC reserve the right to vary all data without prior notice. No liability is accepted for any consequence of use.