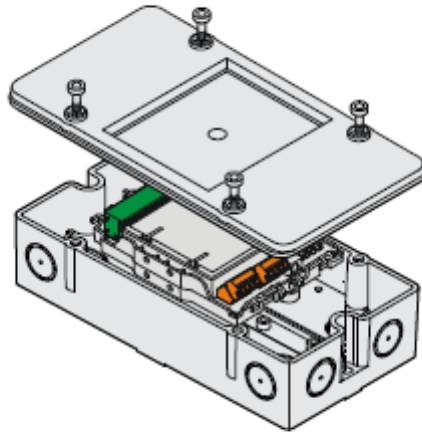


FDCH221

Housing for input/output modules. Housing with seal for the mounting of the input/output modules for wet applications.

Installation in separate housing FDCH221



Protection category EN60529 / IEC529 : IP65

