



DM1103(Ex), DM1104(Ex)

Manual call points

collective/SynoLINE600

for explosion-hazard areas of zones 1 and 2

AlgoRex
Synova™
Sinteso™
Cerberus® PRO



- **Manual call point to all fire detection system control units with collective/SynoLINE600 detector evaluation**
- **Manual call point DM1103 with indirect operation**
- **Manual call point DM1104 with direct operation**
- **Connection to the detection line via the DC1192 input/output module**
 - for galvanic isolation and connection to the collective/SynoLINE600, interactive or AnalogPLUS/SynoLOOP fire detection system
- **Connection to the detection line via the transponder FDCIO223**
 - for galvanic isolation and connection to the addressable FDnet/C-NET fire detection system
- **Two-wire installation**

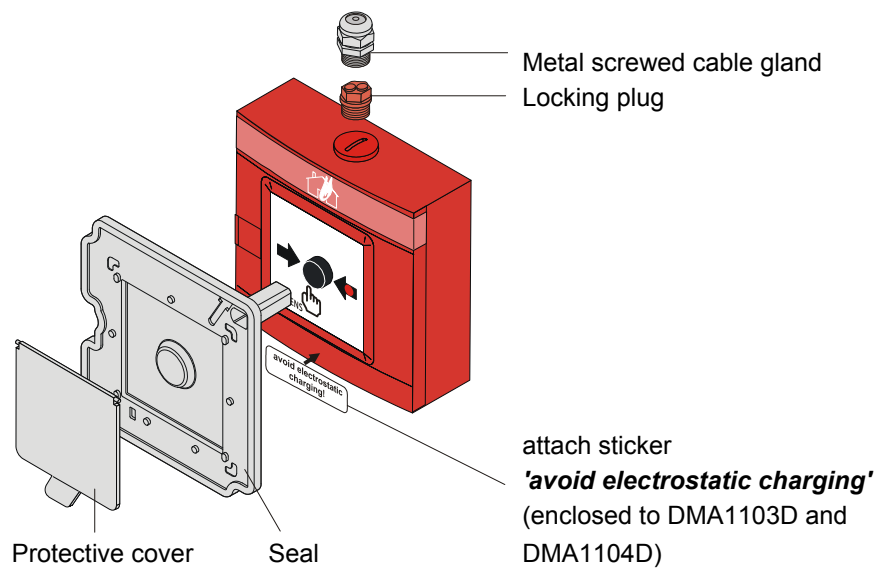
Characteristics

- **Environmental**
 - Ecologically processing
 - Recyclable materials
 - Electronic and synthetic material simple separable
- **Characteristics**
 - Protected electronic
 - Alarm indicator (LED) built-in

Manual call points DM1103(Ex), DM1104(Ex)

A protective cover DMZ1197-AC (accessory) protects the manual call point from unintentional glass break.

A seal DMZ1197-AD (accessory) protects the manual call point in wet applications.

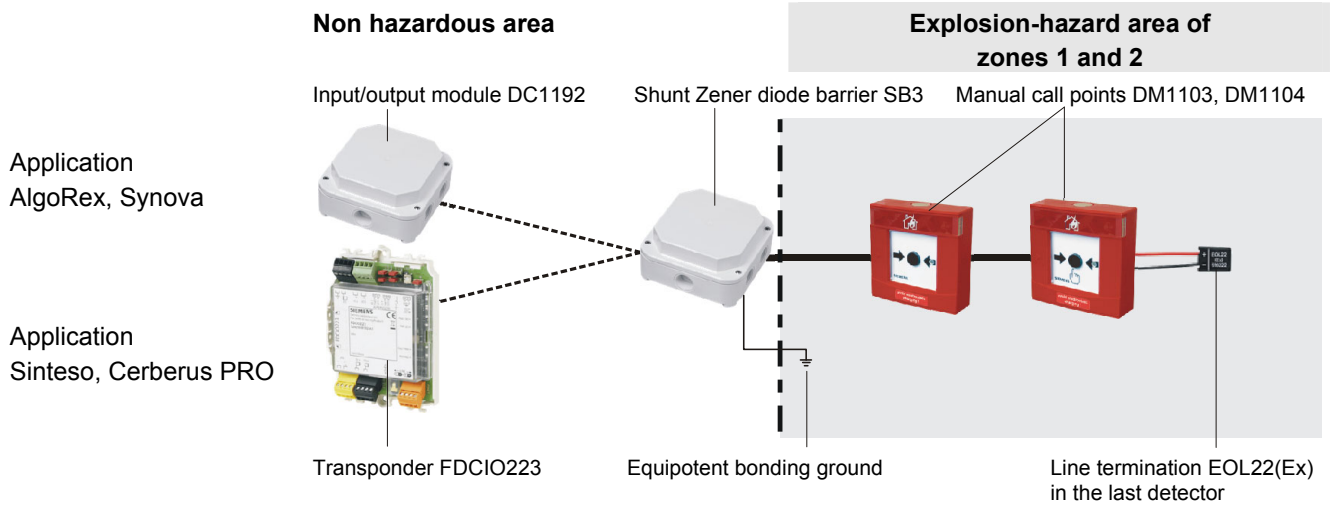


- **Function DM1103**
 - Indirect alarm actuation by pushing in the glass plate and pressing the push button
 - To replace the glass plate, open the housing door with the key. The push button must be set back before closing the door again.
- **Function DM1104**
 - Direct alarm actuation by pushing in the glass plate
 - To replace the glass plate, open the housing door with the key, upon closing the door the button is reset
- **Application**
 - For the immediate manual actuation of an alarm
 - For indoor and outdoor application, equally suited for wet, humid and dusty areas
 - For surface- and recess-mounted feed lines in easily accessible places
 - For recess mounted feed lines, break out the break-out point in the housing bottom
 - For surface-mounted feed lines to the DM1103, DM1104 the housing is equipped with opening at the top and bottom, with sealing studs for M20 cable glands or locking plug

Installation in explosion-hazard areas

Equipment installed in explosion-hazard areas must always comply with local national regulations.

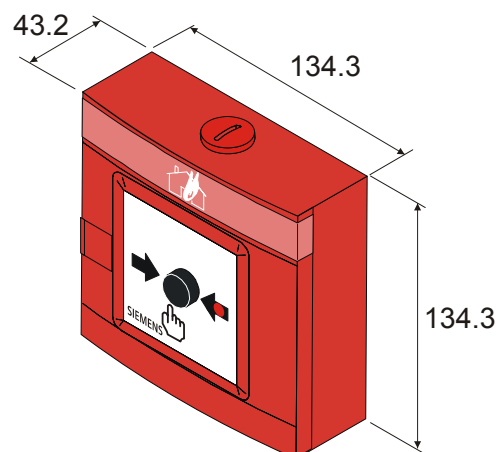
The DC1192/FDCIO223 input/output module and the series-connected SB3 shunt Zener diode barrier are used as a galvanic isolation between explosion-hazard and non hazardous areas.





Further details can be found in the documents

- Fire protection in explosion-hazard areas, document no. 1204
- Input/output module DC1192, document no. 001571
- Transponder FDCIO223, document no. 009168
- Shunt Zener diode barrier SB3, document 001222

Dimensions DM1103, DM1104



Technical data DM1103, DM1104

DM1103		Operating voltage	DC 16... 26 V
 Siemens Schweiz AG, CH-6301 Zug Date: see manufacturing date on the product 0786-CPD-20499 EN54-11 Manual call point; Safety in case of fire DM1103 Technical data see Doc. 007980	Max. current, permanent	60 mA	
	Max. pulsed current	100 mA	
	Terminal block	0.28... 1.5 mm ²	
	Operating temperature	-25... +70 °C	
	Storage temperature	-30... +75 °C	
	Humidity (no condensation)	≤95 % rel.	
	Connection factor KMK	1	
DM1104		Color	red, ~RAL 3000
 Siemens Schweiz AG, CH-6301 Zug Date: see manufacturing date on the product 0786-CPD-20500 EN54-11 Manual call point; Safety in case of fire DM1104 Technical data see Doc. 007980	Protection category IEC60529	IP54	
	– with seal DMZ1197-AD	IP65	
	Standards	EN54-11	
	Ex-classification	Ex ib IIC T4 (-40°C ≤ Ta ≤ +70°C)	
	'simple apparatus' in compliance with EN60079-11, chapter 5.7	attach sticker ' avoid electrostatic charging '	
Ex-specifications	Ui ≤ 28V Ii ≤ 100mA Pi ≤ 700mW Li < negligible Ci < negligible		
Approvals	DM1103	DM1104	
– VdS	G295036	G299068	
– LPCB	–	126w/06	
Compatibility	– By using the DC1192 input/output module and SB3 shunt Zener diode barrier it is compatible with fire detection system control units with collective/SynoLINE600, interactive or Analog-PLUS/SynoLOOP signal evaluation. – By using the FDCIO223 transponder and SB3 shunt Zener diode barrier it is compatible with fire detection system control units with FDnet/C-NET signal evaluation.		

Details for ordering

	Type	Part no	Designation	Weight
DM1103 / DM1104	DMA1192-AA	BPZ:5222870001	Housing red, with glass and key	0.256 kg
	DMA1103D	A5Q00004470	Switching unit to DM1103	0.067 kg
	DMA1104D	A5Q00005925	Switching unit to DM1104	0.070 kg
Accessories	DMZ1197-AC	BPZ:5223550001	Protective cover	0.012 kg
	DMZ1197-AD	BPZ:5470680001	Seal for wet areas	0.023 kg
	–	A5Q00004478	Metal screwed cable gland M20 x 1.5	0.039 kg
	–	A5Q00006735	Locking plug red, M20 x 1.5 (1 hole)	0.007 kg
	–	A5Q00010055	Locking plug red, M20 x 1.5 (2 holes)	0.007 kg
Spare parts	DMZ1196-AC	BPZ:4942050001	Glass	0.016 kg
	DMZ1195	BPZ:4851910001	Key	0.003 kg

Siemens Switzerland Ltd
 Infrastructure & Cities Sector
 Building Technologies Division
 International Headquarters
 CPS Fire Safety
 Gubelstrasse 22
 CH-6301 Zug
 Tel. +41 41 724 24 24

www.siemens.com/buildingtechnologies

Document no. **A6V10236643_c_en_--**
 Edition 01.2012

© 2012 Copyright by
 Siemens Switzerland Ltd
 Data and design subject to change without notice.
 Supply subject to availability.

Manual S11 / FD-C / FD20 / FD720
 Section 2 / 3 / 8 / 8